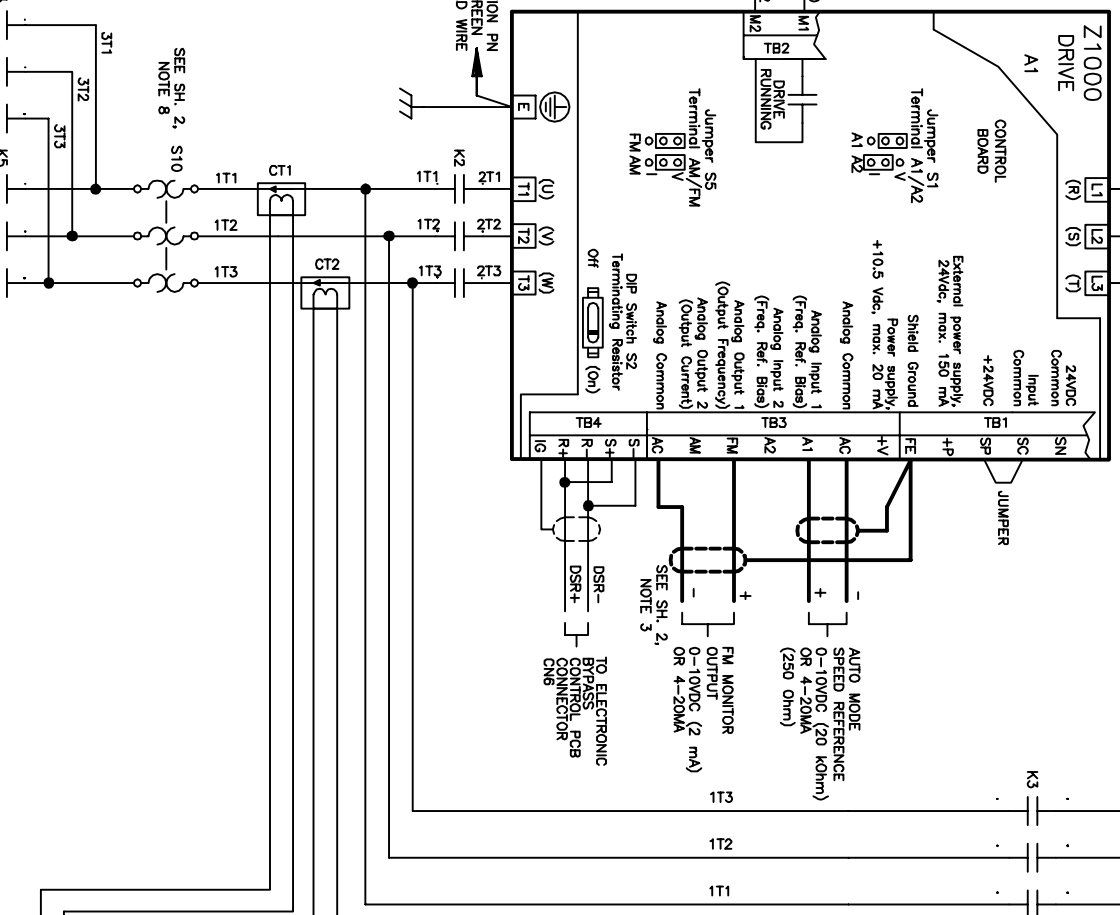
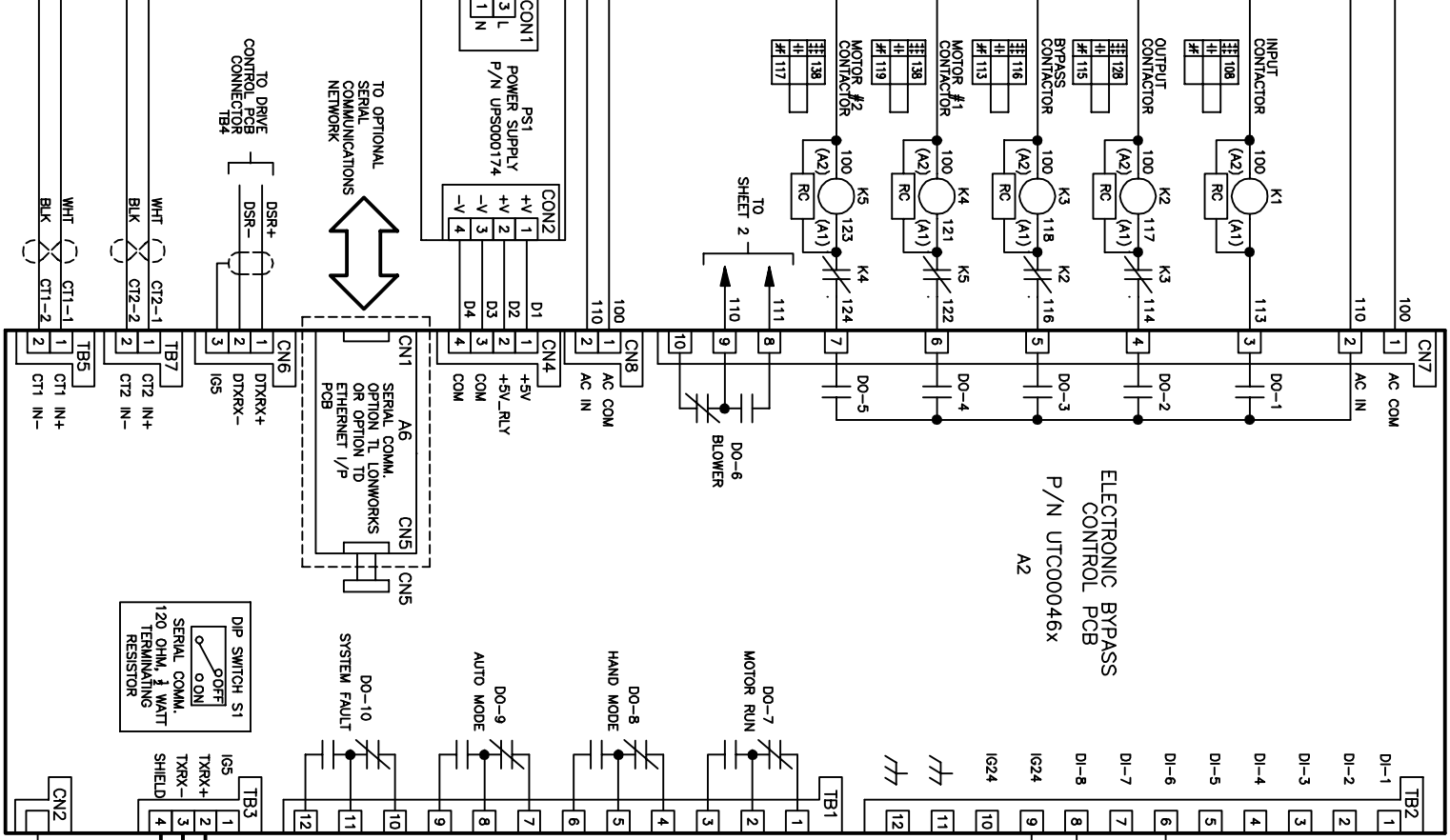
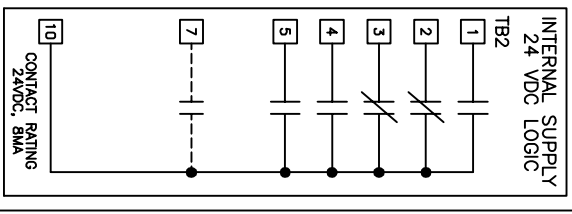


CONTROL TRANSFORMER PRIMARY CONNECTIONS			
INPUT VOLTS	TERMINALS	JUMPER LOCATION	
208	(H1)	(H2)	NONE
480/490	(H1)	(H4)	(H2) TO (H3)

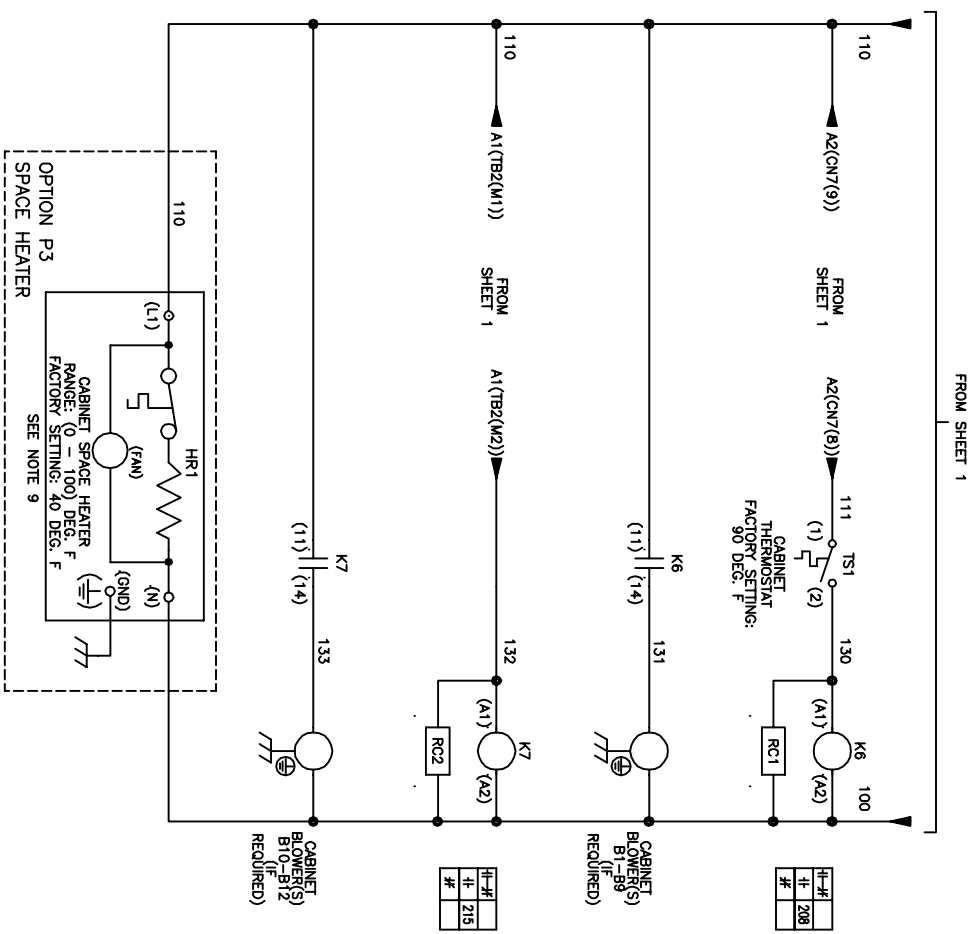


REV.	DESCRIPTION	ECO #	DRAWN BY	DATE
03	CHANGE REF NUMBERS 101-141 TO 201-241 ON PAGE 2	6330	DJP	6/12/15
02	ADDED DASHED LINE AROUND AB	4453	K. MALUSIC	8/13/13
01	CHANGED WIRE NUMBERS	4315	K. MALUSIC	7/1/13

DATE	BY	DATE	BY
4/23/13	K. MALUSIC	4/23/13	K. MALUSIC
4/23/13	D.R. CMELEK	4/23/13	D.R. CMELEK
4/23/13	K. FLIERL	4/23/13	K. FLIERL
4/23/13	D.R. CMELEK	4/23/13	D.R. CMELEK

* - INDICATES COMPONENTS NOT SUPPLIED BY YASKAWA.
 --- INDICATES CUSTOMER WIRING.
 --- CONNECTED TO THE CABINET OR PANEL.
 --- SEE SHEET 2 FOR NOTES.

- NOTES:
1. CUSTOMER TO CONNECT THE CABINET GROUND LUGS TO EARTH GROUND AND UTILITY GROUND.
 2. CONDUIT FITTINGS/HUBS SHALL COMPLY WITH THE 'STANDARD FOR CONDUIT, TUBING, AND CABLE FITTINGS, UL 514B', OR CONDUIT FITTINGS HAVING THE SAME ENVIRONMENTAL RATING AS THE ENCLOSURE SHALL BE USED.
 3. INSULATED TWISTED SHIELDED WIRE IS REQUIRED. SHIELD TO CONNECT TO PROPER TERMINAL AS SHOWN. CONNECT THE SHIELD ONLY AT THIS END. STUB AND ISOLATE THE OTHER END. DO NOT RUN THESE WIRES IN THE SAME CONDUIT AS THE AC POWER AND THE AC CONTROL WIRES.
 4. WITH A CONTROL TRANSFORMER, T1, POWER RATING 350VA OR GREATER, SECONDARY FUSE F6 IS ADDED.
 5. CHANGING Z1-01 TO "1" WILL PROGRAM THE DRIVE AND BYPASS PARAMETERS TO THEIR FACTORY DEFAULT SETTINGS.
 6. SET Z1-11 TO 4 AND Z2-06 TO 27.
 7. FOR 208VAC APPLICATIONS, SET E1-01 TO 208, AND SET E1-05 TO 208.
 8. THE MOTOR OVERLOAD RELAY IS FACTORY SET FOR MANUAL RESET. CUSTOMER TO ADJUST THE MOTOR OVERLOAD RELAY TRIP SETTING FOR THE ACTUAL AC MOTOR'S FULL LOAD AMPS.
 9. CUSTOMER TO ADJUST THE THERMOSTAT ON THE SPACE HEATER HR1 FOR THE MINIMUM DESIRED TEMPERATURE INSIDE THE DRIVE CABINET. THIS SET TEMPERATURE IS NORMALLY SELECTED TO BE SLIGHTLY HIGHER THAN THE MINIMUM AMBIENT TEMPERATURE OF THE AIR SURROUNDING THE CABINET. AND IS THE TEMPERATURE AT WHICH THE SPACE HEATER HR1 WILL SHUT OFF.



YASKAWA		DATE	4/23/13	TITLE	SCHEMATIC DIAGRAM
DESIGNED BY	K. MALUSIC	CHECKED	D. CMEIAK	DATE	4/23/13
IN/IT ARE CONFIDENTIAL, AND INFORMATION CONTAINED HEREIN IS UNCLASSIFIED		DATE	4/23/13	OPTION	P3
THIS DOCUMENT AND INFORMATION CONTAINED HEREIN IS UNCLASSIFIED		DATE	4/23/13	SIZE	D
WITHOUT THE EXPRESS WRITTEN CONSENT OF YASKAWA AMERICA INC.		DATE	4/23/13	REVISION	03
		DATE	4/23/13	DRAWING #	DS.Z1B3.11
		DATE	4/23/13	PAGE	2 of 2